

STUDIO

BY DEKKO

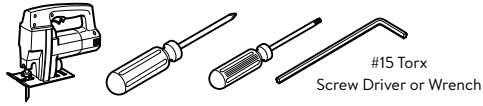
7310 Innovation Blvd., Suite 104,  
Fort Wayne, IN 46818  
Customer Service: 800.829.3101

# ASHLEY 202 BEZEL

- Corded -  
Horizontal or Vertical Surface Mounting  
Installation Instruction

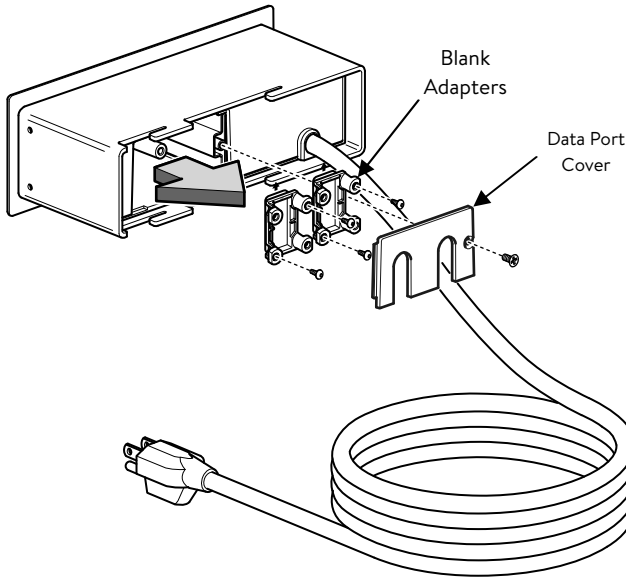
This device complies with part 15A of the FCC Rules. Operation is subject to the following two conditions: (1) This device may not cause harmful interference, and (2) this device must accept any interference received, including interference that may cause undesired operation.

### Tools Required



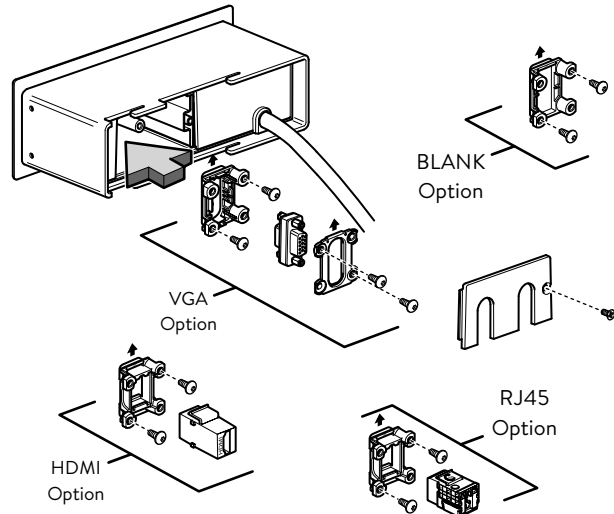
**\*NOTE\***  
All Tech Adapters Need to be Mounted in the  
↑ "UP" ↑ Position. (Refer to the back of Parts)

## 1 Remove Data Port Cover and Blank Adapters



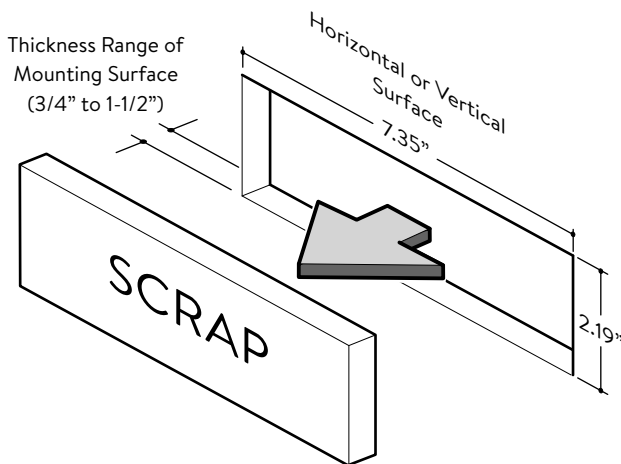
## 2 Install Data Port Options (VGA, RJ45, HDMI, BLANK)

**\*NOTE\***  
See Sheet #2 for Detailed Instructions

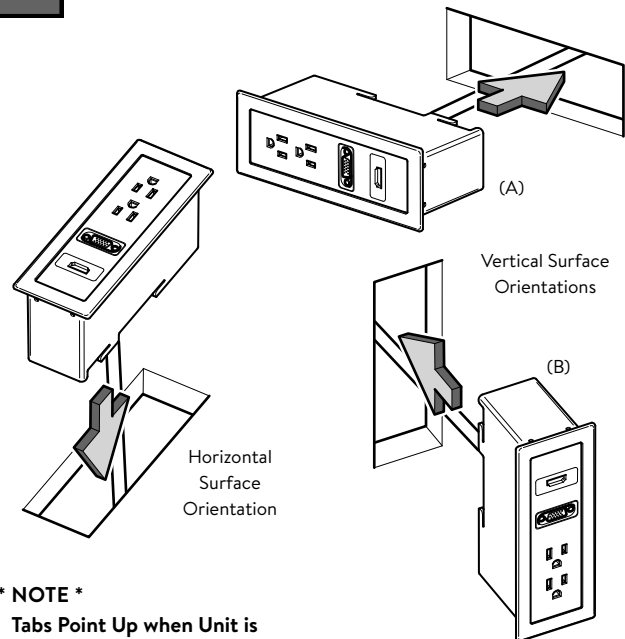


## 3 Cutout Opening for Ashley 202 Bezel Assembly

**\* NOTE \***  
Max Radius on Cutout Corners is 1/4"



## 4 Install Ashley 202 Bezel Assembly into Cutout



**\* NOTE \***  
Tabs Point Up when Unit is  
Installed Vertically - See Vertical Orientation

E.C.N. No: GD17-002662

Part Number: G110186

Page Number: 1 of 4

Revision: B

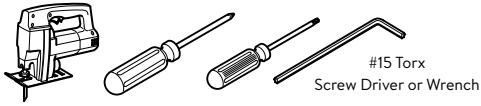
# ASHLEY 202 BEZEL

- Corded -

## Horizontal or Vertical Surface Mounting Installation Instruction

This device complies with part 15A of the FCC Rules. Operation is subject to the following two conditions: (1) This device may not cause harmful interference, and (2) this device must accept any interference received, including interference that may cause undesired operation.

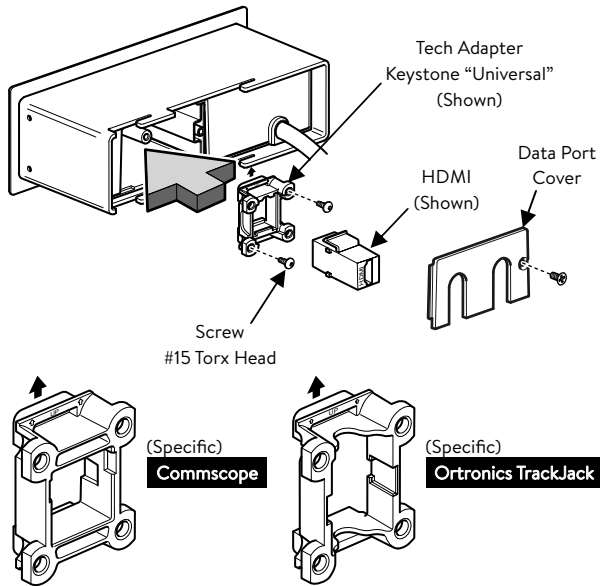
### Tools Required



### \*NOTE\*

All Tech Adapters Need to be Mounted in the  
↑ "UP" ↑ Position. (Refer to the back of Parts)

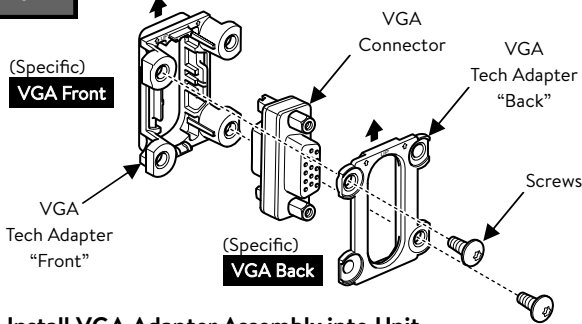
## 2.1 Install Data Tech Adapter Option



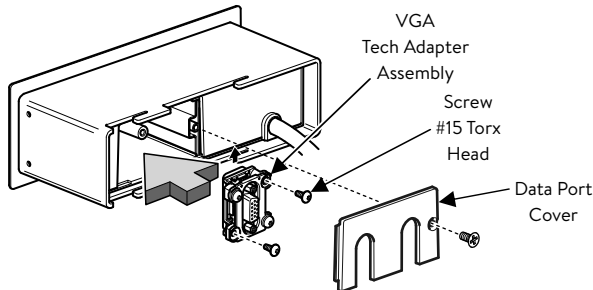
(Universal)

KEYSTONE	
HDMI	Optical Cable Corp 5e
Tripp-Lite	Optical Cable Corp 6
Allen-Tel	Ortronics
AMP TE-Krone	Panduit NetKey
Belden KeyConnect	Hubbell Premise
Leviton Quick Port	Type F Coax
Leviton Quick Port Extreme	ETC. (ET. AL.)

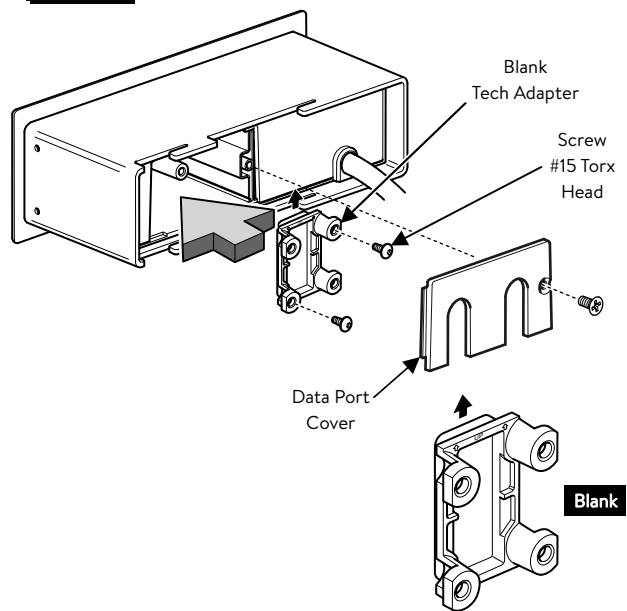
## 2.2 A Install VGA Connector to VGA Tech Adapters



## B Install VGA Adapter Assembly into Unit



## 2.3 Install Blank Tech Adapter Option



STU  
DIO

BY DEKKO

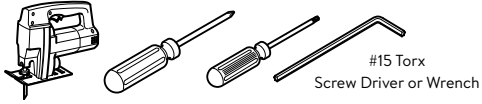
7310 Innovation Blvd., Suite 104,  
Fort Wayne, IN 46818  
Customer Service: 800.829.3101

# ASHLEY 202 BEZEL

- Corded -  
Horizontal or Vertical Surface Mounting  
Installation Instruction

This device complies with part 15A of the FCC Rules. Operation is subject to the following two conditions: (1) This device may not cause harmful interference, and (2) this device must accept any interference received, including interference that may cause undesired operation.

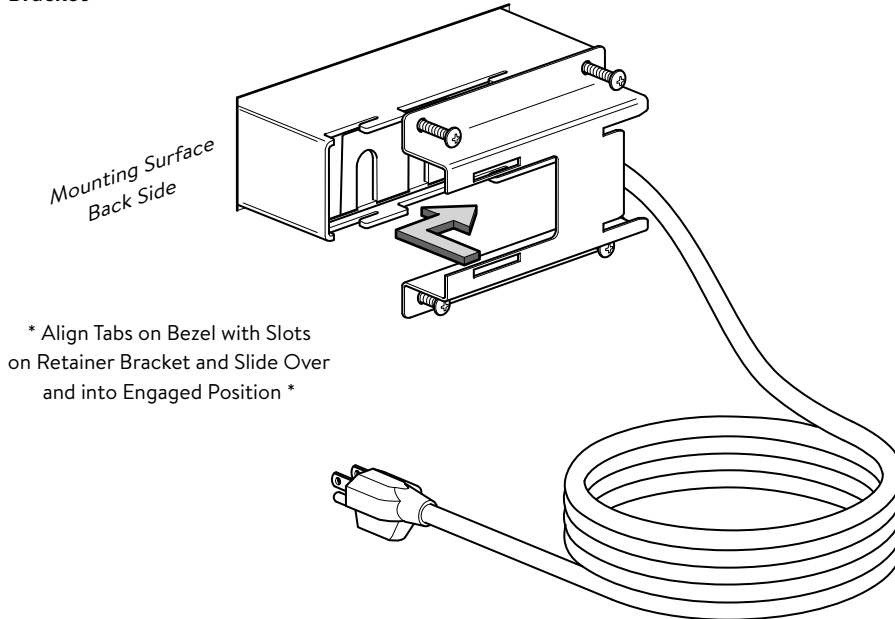
## Tools Required



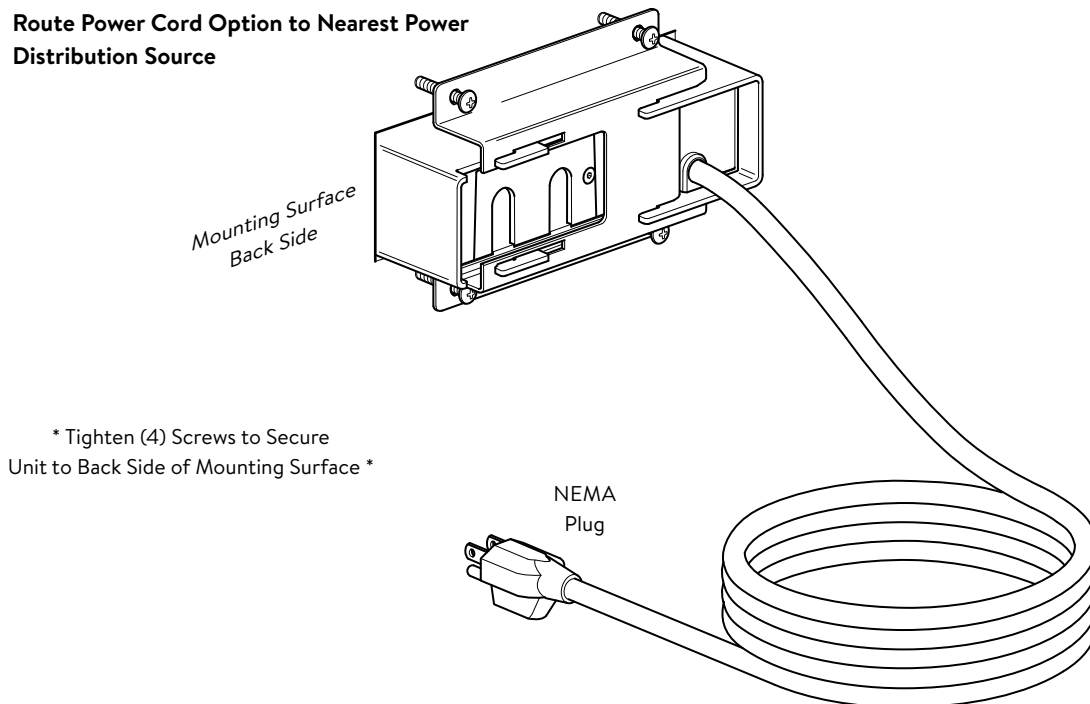
### \*NOTE\*

All Tech Adapters Need to be Mounted in the  
⬆ "UP" ⬆ Position. (Refer to the back of Parts)

## 5 Install Retainer Bracket



## 6 Route Power Cord Option to Nearest Power Distribution Source



**ASHLEY 202 BEZEL**  
- Corded -  
**Horizontal or Vertical Surface Mounting**  
Installation Instruction Template



7310 Innovation Blvd., Suite 104,  
Fort Wayne, IN 46818  
Customer Service: 800.829.3101

This device complies with part 15A of the FCC Rules. Operation is subject to the following two conditions: (1) This device may not cause harmful interference, and (2) this device must accept any interference received, including interference that may cause undesired operation.



A

A

B

B

C

C

D

D

E

E

F

F