

STU
DIO

BY DEKKO

7310 Innovation Blvd., Suite 104,
Fort Wayne, IN 46818
Customer Service: 800.829.3101

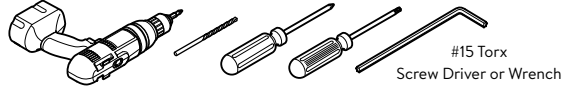
ASHLEY 202 UNDER

- Corded -

Under Worksurface Mounting Installation Instruction

This device complies with part 15A of the FCC Rules. Operation is subject to the following two conditions: (1) This device may not cause harmful interference, and (2) this device must accept any interference received, including interference that may cause undesired operation.

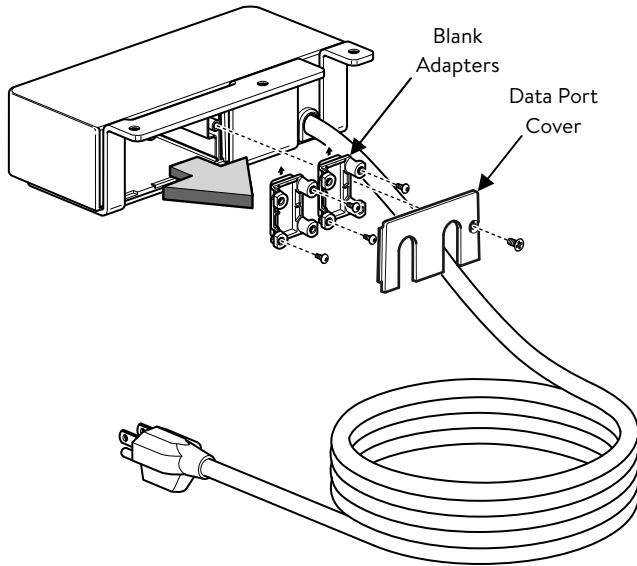
Tools Required



NOTE

All Tech Adapters Need to be Mounted in the
↑ "UP" ↑ Position. (Refer to the back of Parts)

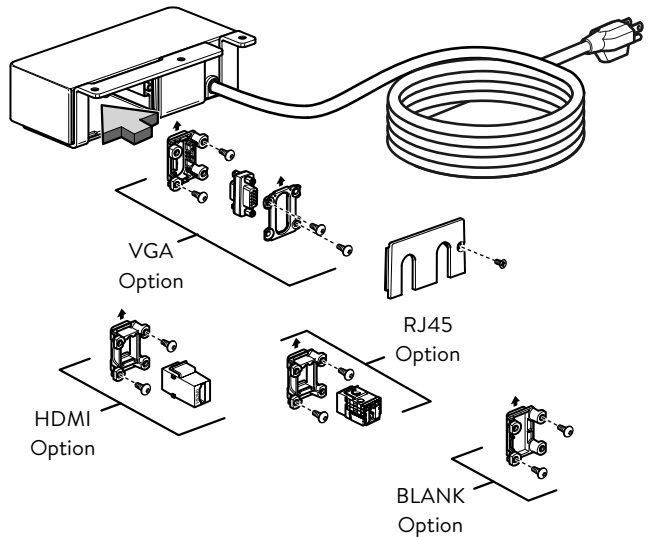
1 Remove Data Port Cover and Blank Adapters



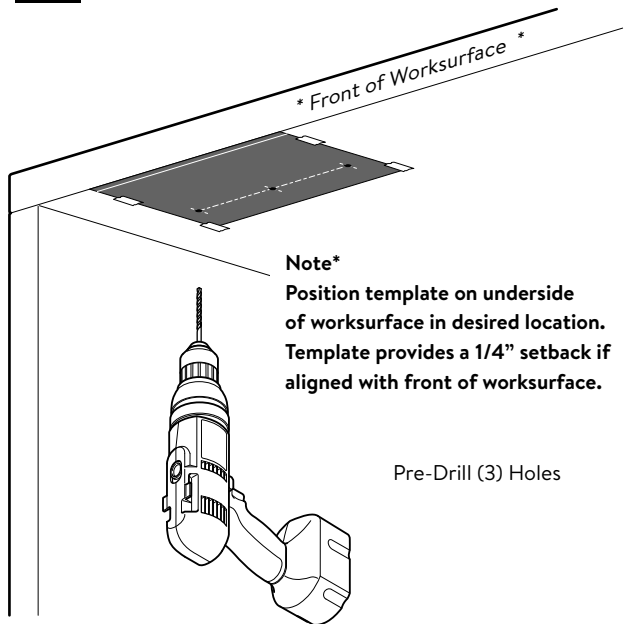
2 Install Data Port Options - (VGA, RJ45, HDMI, BLANK)

NOTE

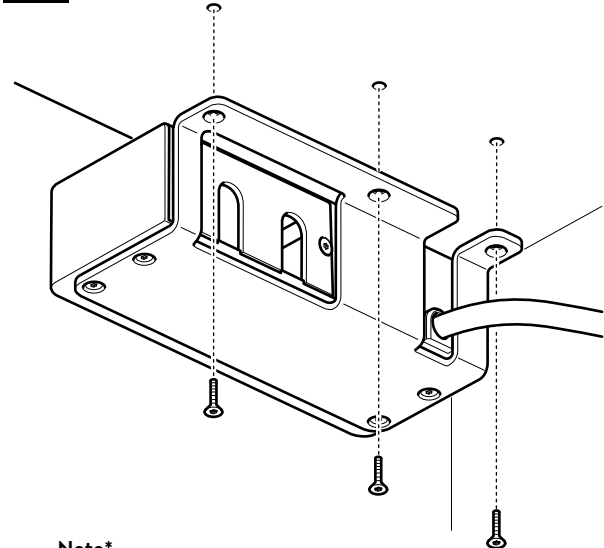
See Sheet #2 for Detailed Instructions



3 Place Template and Pre-Drill Holes



4 Install Ashley 202 Under to Worksurface



Note*

Use (3) #6 x 1/2" Flat Head Wood Screws
RECOMMENDED BUT NOT SUPPLIED

E.C.N. No: GD17-002662

Part Number: G110183

Page Number: 1 of 4

Revision: B

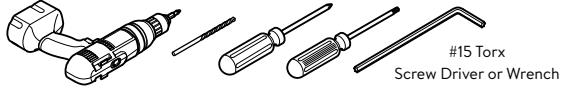
ASHLEY 202 UNDER

- Corded -

Under Worksurface Mounting Installation Instruction

This device complies with part 15A of the FCC Rules. Operation is subject to the following two conditions: (1) This device may not cause harmful interference, and (2) this device must accept any interference received, including interference that may cause undesired operation.

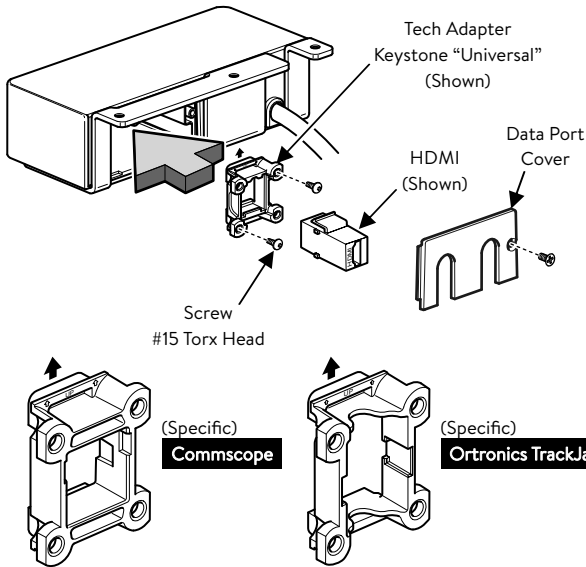
Tools Required



NOTE

All Tech Adapters Need to be Mounted in the
↑ "UP" ↑ Position. (Refer to the back of Parts)

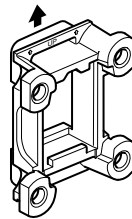
2.1 Install Data Tech Adapter Option



(Universal)

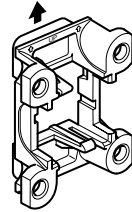
KEYSTONE

HDMI	Optical Cable Corp 5e
Tripp-Lite	Optical Cable Corp 6
Allen-Tel	Ortronics
AMP TE-Krone	Panduit NetKey
Belden KeyConnect	Hubbell Premise
Leviton Quick Port	Type F Coax
Leviton Quick Port Extreme	ETC. (ET. AL.)



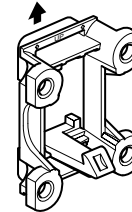
(Specific)

Belden EZ MDVO

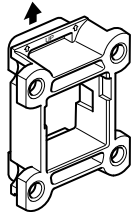


(Specific)

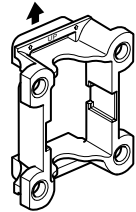
Panduit Mini-COM



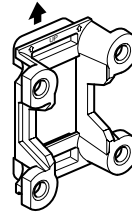
(Specific)
Commscope



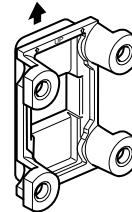
(Specific)
Ortronics TrackJack



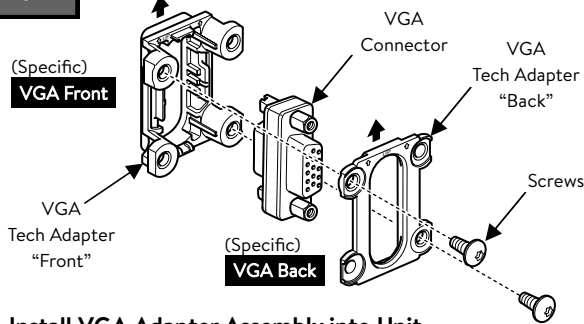
(Specific)
Siemon



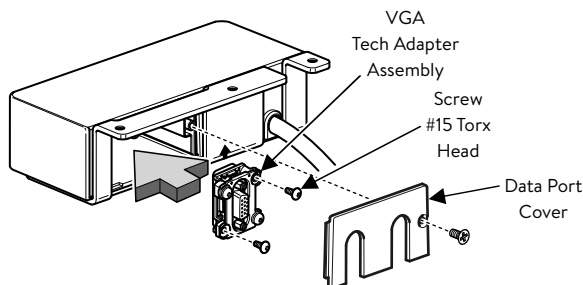
(Specific)
Cable Retainer



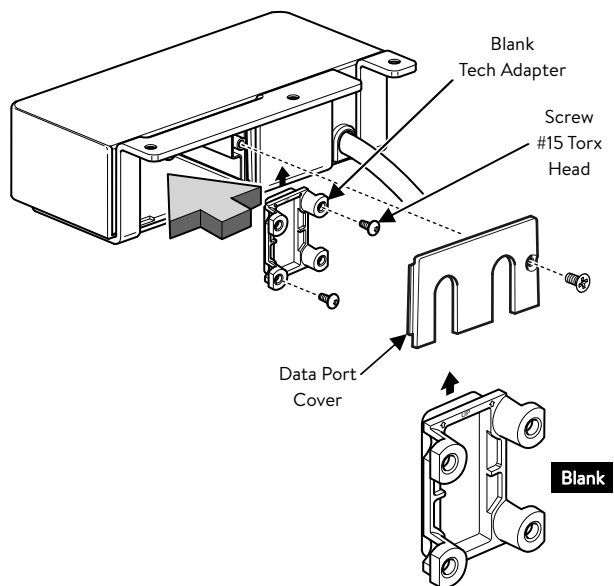
2.2 A Install VGA Connector to VGA Tech Adapters



B Install VGA Adapter Assembly into Unit



2.3 Install Blank Tech Adapter Option



STU
DIO

BY DEKKO

7310 Innovation Blvd., Suite 104,
Fort Wayne, IN 46818
Customer Service: 800.829.3101

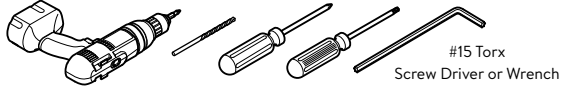
ASHLEY 202 UNDER

- Corded -

Under Worksurface Mounting Installation Instruction

This device complies with part 15A of the FCC Rules. Operation is subject to the following two conditions: (1) This device may not cause harmful interference, and (2) this device must accept any interference received, including interference that may cause undesired operation.

Tools Required



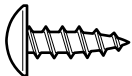
NOTE

All Tech Adapters Need to be Mounted in the
⬆ "UP" ⬆ Position. (Refer to the back of Parts)

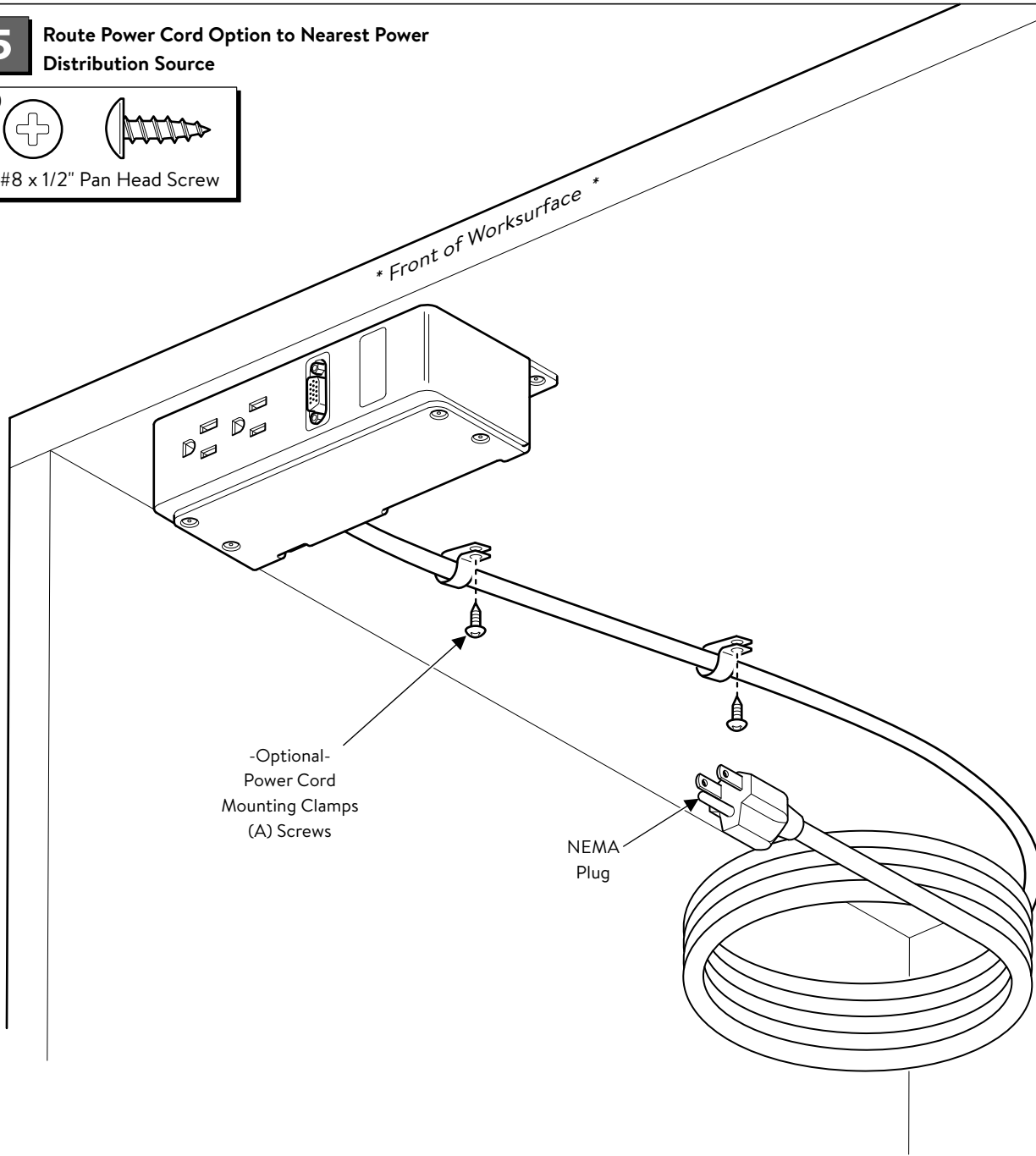
5

Route Power Cord Option to Nearest Power Distribution Source

(A)



#8 x 1/2" Pan Head Screw





BY DEKKO

7310 Innovation Blvd., Suite 104,
Fort Wayne, IN 46818
Customer Service: 800.829.3101

ASHLEY 202 UNDER

- Corded -

Under Worksurface Mounting
Installation Instruction Template

This device complies with part 15A of the FCC Rules. Operation is subject to the following two conditions: (1) This device may not cause harmful interference, and (2) this device must accept any interference received, including interference that may cause undesired operation.

