



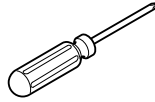
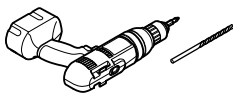
7310 Innovation Blvd., Suite 104,  
Fort Wayne, IN 46818  
Customer Service: 800.829.3101

# ASHLEY 210 UNDER

- Corded -  
Under Worksurface Mounting  
Installation Instruction

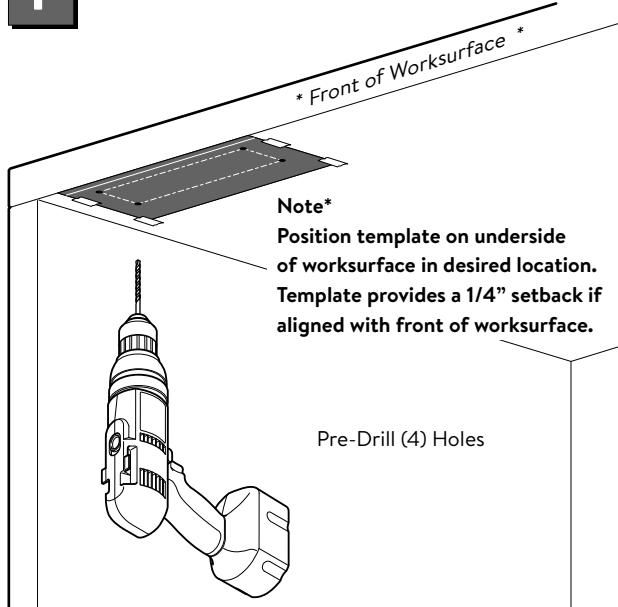
This device complies with part 15A of the FCC Rules. Operation is subject to the following two conditions: (1) This device may not cause harmful interference, and (2) this device must accept any interference received, including interference that may cause undesired operation.

## Tools Required

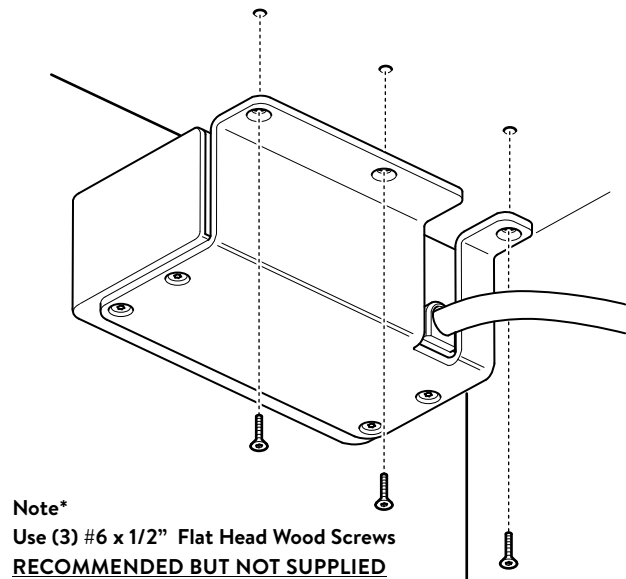


Screwdriver needed for optional power cord mounting clamps.

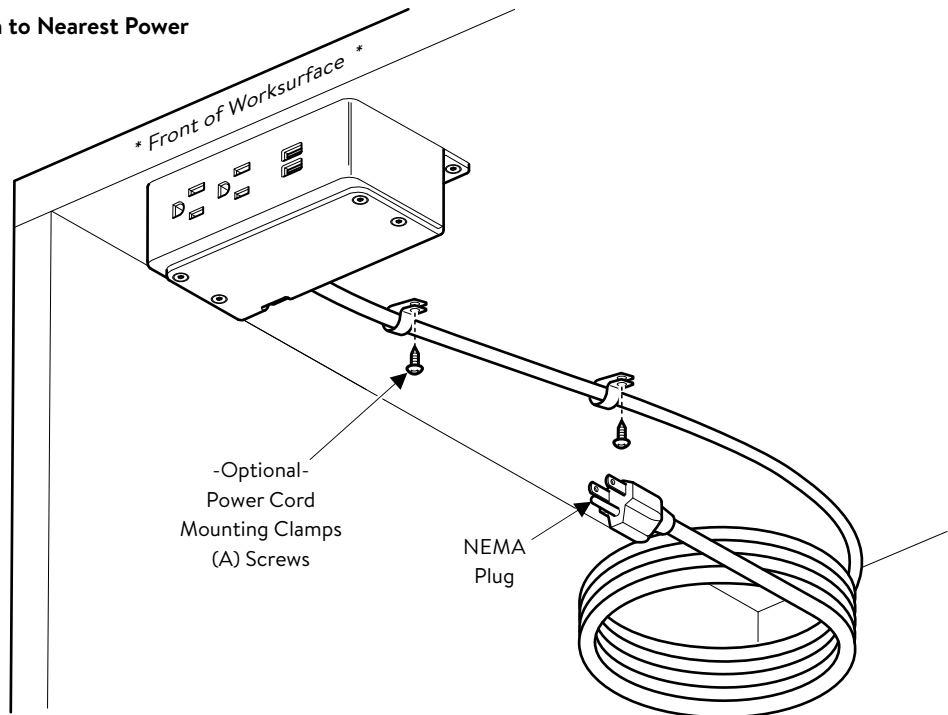
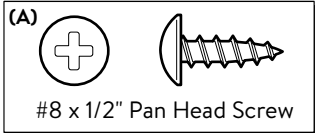
### 1 Place Template and Pre-Drill Holes



### 2 Install Ashley 210 Under to Worksurface



### 3 Route Power Cord Option to Nearest Power Distribution Source





7310 Innovation Blvd., Suite 104,  
Fort Wayne, IN 46818 Customer  
Service: 800.829.3101

# ASHLEY 210 UNDER

- Corded -  
Under Worksurface Mounting  
[Installation Instruction Template](#)

This device complies with part 15A of the FCC Rules. Operation is subject to the following two conditions: (1) This device may not cause harmful interference, and (2) this device must accept any interference received, including interference that may cause undesired operation.

