

YOUR INNOVATIVE
ELECTRICAL SOLUTION.

Ashley TR™ Series



STU
DIO

BY DEKKO

Power Perfection

WHEN SAFETY MEETS HIGH-END DESIGN

As an extension to the Ashley Uno, Duo and 210 Series, Ashley TR™ incorporates all the great attributes and features of these series with an additional safety component. With Tamper Resistant receptacles, you can rest assured that everyone, from children to the elderly, will be powerfully protected. The interior shutter mechanism located in the interior walls of the simplex, act as a protective barrier from foreign objects entering; allowing only plugs to be inserted when pressure is simultaneously applied. Our receptacles are marked with a "TR" on each faceplate, easily identifying them from other products on the market.

The Ashley TR product offering is available in one and two power configurations with USB ports that utilizes a Smart Device Recognition Chip to monitor and independently deliver the required amperage to the connected devices. Equipped with a 90-degree plug, this product is able to bring powerful tamper resistant receptacles to your space with various cord length options including 6', 9' and 10'.

The Ashley TR™ Series is offered as a clamp-on, under or bezel mounting option in select Uno, 210 and Duo configurations and is UL 962A listed.



FEATURES:

Applications

Clamp-on
Under-mount
Bezel

Standard Metal Trim Finishes

Silver 
Black 
White 

Standard Plastic Colors

White 
Grey 
Black 



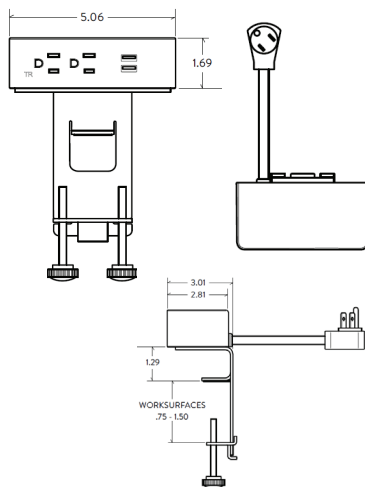
Specifications

- TR Configurations Available for Ashley 210 Clamp-On, Ashley Duo Bezel, Duo Under, and Ashley Uno Series
- 1 or 2 - 15A, 120V AC Tamper Resistant Power Outlets ("TR" Pad-Printing on Faceplate for Verification and Recognition)
- 2 - 2.1A/10.5W USB Charging Ports
- 6', 9' or 10' Cord Options with Three-Prong 90-Degree Plug
- UL 962A Listed
- UL 1310 Recognized
- Meets UL Spill Requirements
- Class 2, FCC Part 15 A Approved
- Meets USB.org Battery Charging 1.2 Specifications

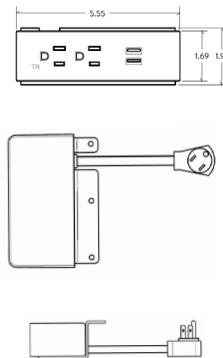
Dimensions

- Product lengths vary by Ashley Series - See Individual Product Literature for Details.

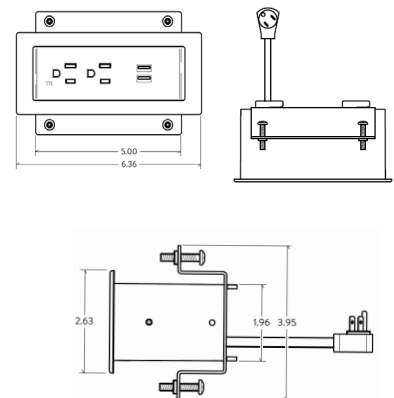
Ashley TR Clamp-On
(210 TR Shown)



Ashley TR Under
(Duo TR Shown)



Ashley TR Bezel
(Duo TR Shown)



DESCRIPTION	CORD LENGTHS	FINISH PLASTIC FACE/METAL TRIM	MODEL		
ASHLEY UNO TR - CLAMP MOUNT					
<ul style="list-style-type: none"> 1 AC 15 Amp Tamper Resistant Power Outlet, 2 USB 2.1 Amp Charging Ports with Three-Prong 90-Degree Plug (Clamp and screws included) 	6' Corded	Black/Black Gray/Silver White/White	305125.TR.04.06 305125.TR.01.06 305125.TR.VW.06		
	9' Corded	Black/Black Gray/Silver White/White	305125.TR.04.09 305125.TR.01.09 305125.TR.VW.09		
	10' Corded	Black/Black Gray/Silver White/White	305125.TR.04.10 305125.TR.01.10 305125.TR.VW.10		
	ASHLEY UNO TR - UNDER				
	<ul style="list-style-type: none"> 1 AC 15 Amp Tamper Resistant Power Outlet, 2 USB 2.1 Amp Charging Ports with Three-Prong 90-Degree Plug 	6' Corded	Black/Black Gray/Silver White/White	305126.TR.04.06 305126.TR.01.06 305126.TR.VW.06	
		9' Corded	Black/Black Gray/Silver White/White	305126.TR.04.09 305126.TR.01.09 305126.TR.VW.09	
		10' Corded	Black/Black Gray/Silver White/White	305126.TR.04.10 305126.TR.01.10 305126.TR.VW.10	
		ASHLEY UNO TR - BEZEL			
		<ul style="list-style-type: none"> 1 AC 15 Amp Tamper Resistant Power Outlet, 2 USB 2.1 Amp Charging Ports with Three-Prong 90-Degree Plug 	6' Corded	Black/Black Gray/Silver White/White	305127.TR.04.06 305127.TR.01.06 305127.TR.VW.06
9' Corded			Black/Black Gray/Silver White/White	305127.TR.04.09 305127.TR.01.09 305127.TR.VW.09	
10' Corded	Black/Black Gray/Silver White/White		305127.TR.04.10 305127.TR.01.10 305127.TR.VW.10		

Please note: There is a cord length upcharge for models specified with 10' cord lengths.
 See last page for instructions on how to specify units with specialty colors finishes.
 Specialty color requests may incur additional lead time.



DESCRIPTION	CORDED LENGTHS	FINISH PLASTIC FACE/METAL TRIM	MODEL	
ASHLEY 210 TR - CLAMP MOUNT				
<ul style="list-style-type: none"> 2 AC 15 Amp Tamper Resistant Power Outlets, 2 USB 2.1 Amp Charging Ports with Three-Prong 90-Degree Plug (Clamp and screws included) 	6' Corded	Black/Black Gray/Silver White/White	305094.TR.04.06 305094.TR.01.06 305094.TR.VW.06	
	9' Corded	Black/Black Gray/Silver White/White	305094.TR.04.09 305094.TR.01.09 305094.TR.VW.09	
	10' Corded	Black/Black Gray/Silver White/White	305094.TR.04.10 305094.TR.01.10 305094.TR.VW.10	
	ASHLEY DUO TR - UNDER			
	<ul style="list-style-type: none"> 2 AC 15 Amp Tamper Resistant Power Outlets, 2 USB 2.1 Amp Charging Ports with Three-Prong 90-Degree Plug 	6' Corded	Black/Black Gray/Silver White/White	305051.TR.04.06 305051.TR.01.06 305051.TR.VW.06
		9' Corded	Black/Black Gray/Silver White/White	305051.TR.04.09 305051.TR.01.09 305051.TR.VW.09
		10' Corded	Black/Black Gray/Silver White/White	305051.TR.04.10 305051.TR.01.10 305051.TR.VW.10
	ASHLEY DUO TR - BEZEL			
	<ul style="list-style-type: none"> 2 AC 15 Amp Tamper Resistant Power Outlets, 2 USB 2.1 Amp Charging Ports with Three-Prong 90-Degree Plug 	6' Corded	Black/Black Gray/Silver White/White	305057.TR.04.06 305057.TR.01.06 305057.TR.VW.06
9' Corded		Black/Black Gray/Silver White/White	305057.TR.04.09 305057.TR.01.09 305057.TR.VW.09	
10' Corded		Black/Black Gray/Silver White/White	305057.TR.04.10 305057.TR.01.10 305057.TR.VW.10	

Please note: There is a cord length upcharge for models specified with 10' cord lengths.
See last page for instructions on how to specify units with specialty colors finishes.
Specialty color requests may incur additional lead time.

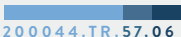


SPECIFICATION INSTRUCTIONS

TO ORDER PLEASE SPECIFY THE FOLLOWING

Step 1:	Step 2:	Step 3:
Base Model # (Part Number)	Finish Options	Corded 90-Degree Plug

EXAMPLE



200044.TR.57.06

Base Model: Ashley Duo TR
 Finish Option: White/Silver
 Cord Length: 6'

Code	Plastic Face/Metal Trim	Cord Color	Code	Cord Length
.04	Black/Black	Black	.06	6' or 72"
.02	Black/Silver	Black	.09	9' or 108"
.08	Gray/Black	Black	.10	10' or 120"
.01	Gray/Silver	Black		
.05	Gray/White	Black		
.03	White/Black	White		
.57	White/Silver	White		
.VW	White/White	White		
			Contact Salesperson For Additional Cord Options	
.11	<i>Blue Daisy/White</i>	White	NOTE: Specialty Colors may incur additional lead time.	
.12	<i>Blue Daisy/Silver</i>	White		
.13	<i>BlueDaisy/Black</i>	Black		
.14	<i>Light Green/White</i>	White		
.15	<i>Light Green/Silver</i>	White		
.16	<i>Light Green/Black</i>	Black		
.17	<i>Harvest Pumpkin/White</i>	White		
.18	<i>Harvest Pumpkin/Silver</i>	White		
.19	<i>Harvest Pumpkin/Black</i>	Black		
.20	<i>Neon Red/White</i>	White		
.21	<i>Neon Red/Silver</i>	White		
.22	<i>Neon Red/Black</i>	Black		

